

52°North‘ OX-Framework

INTERGEO 2006

Arne Bröring

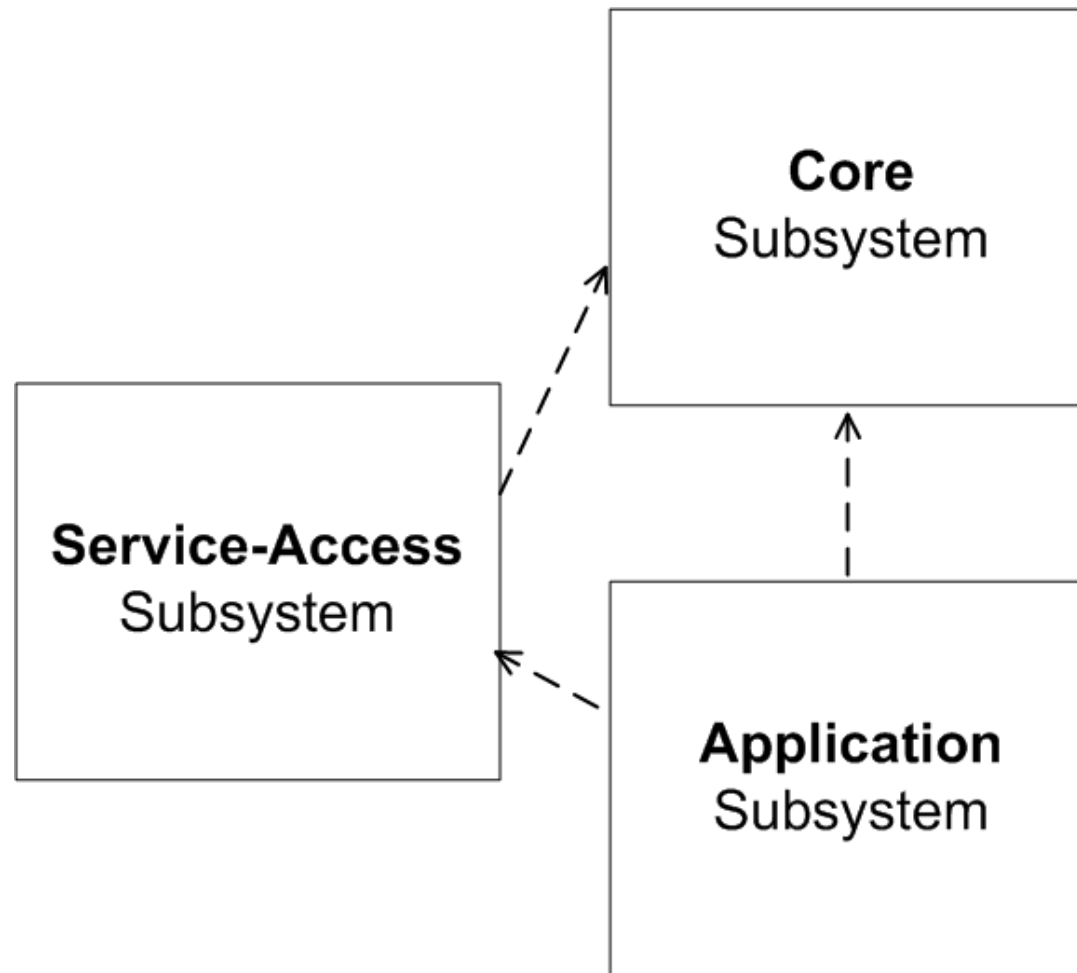
OX-Framework

- = OGC Web Service Access Framework
- Software-Framework that enables:
 - **Access** to OWS
 - **Integration** of provided data
 - **Visualization** of geodata

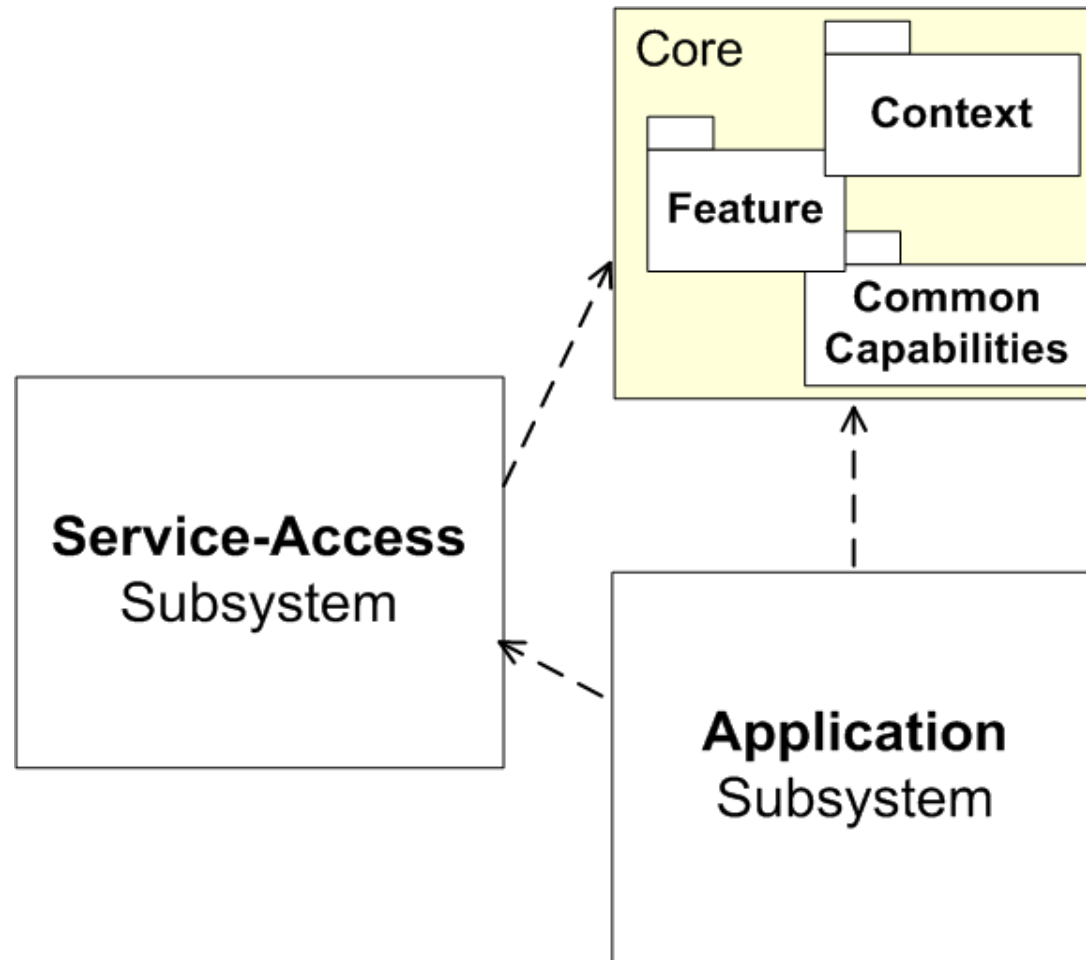
OX-Framework

- Addresses developers
 - *customizable* and *extendable* system of **cooperating** classes
 - reusable design
 - applicable for *client* **and** *server* applications
- Primary objective:
 - architecture has to be so much *flexible* and *extendable* that **all** kinds of OGC Web Services can be accessed
 - queried data can be *visualized* and *processed*

Architecture



Core Subsystem



Core Subsystem

1. Common Capabilities Model

–uses the *OWS Common Specification*

- defines main parts of *content & structure* of Capabilities document
- already referenced by WMS, WCS, SOS ...

→ unmarshal capabilities of various service types

Core Subsystem

2. Feature Model

- uses *OGC Abstract Topic 5* and *GML*
- allows feature schemas of arbitrary complexity
- received features can be unmarshalled into these classes

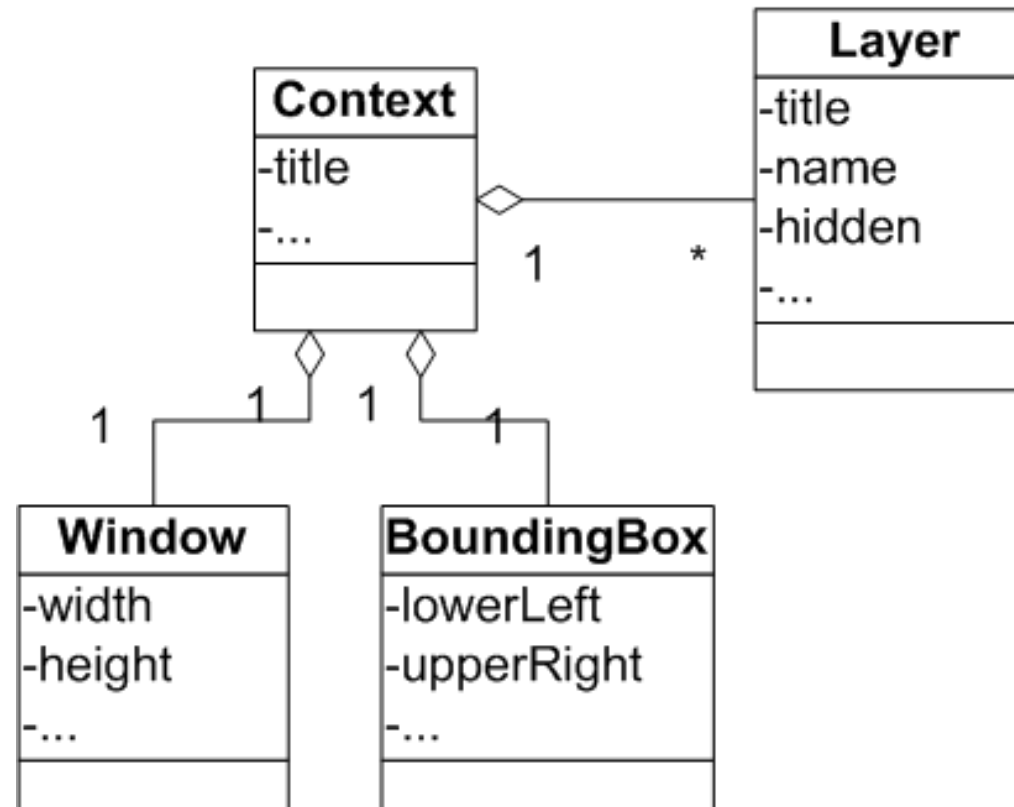
Core Subsystem

3. Context Model

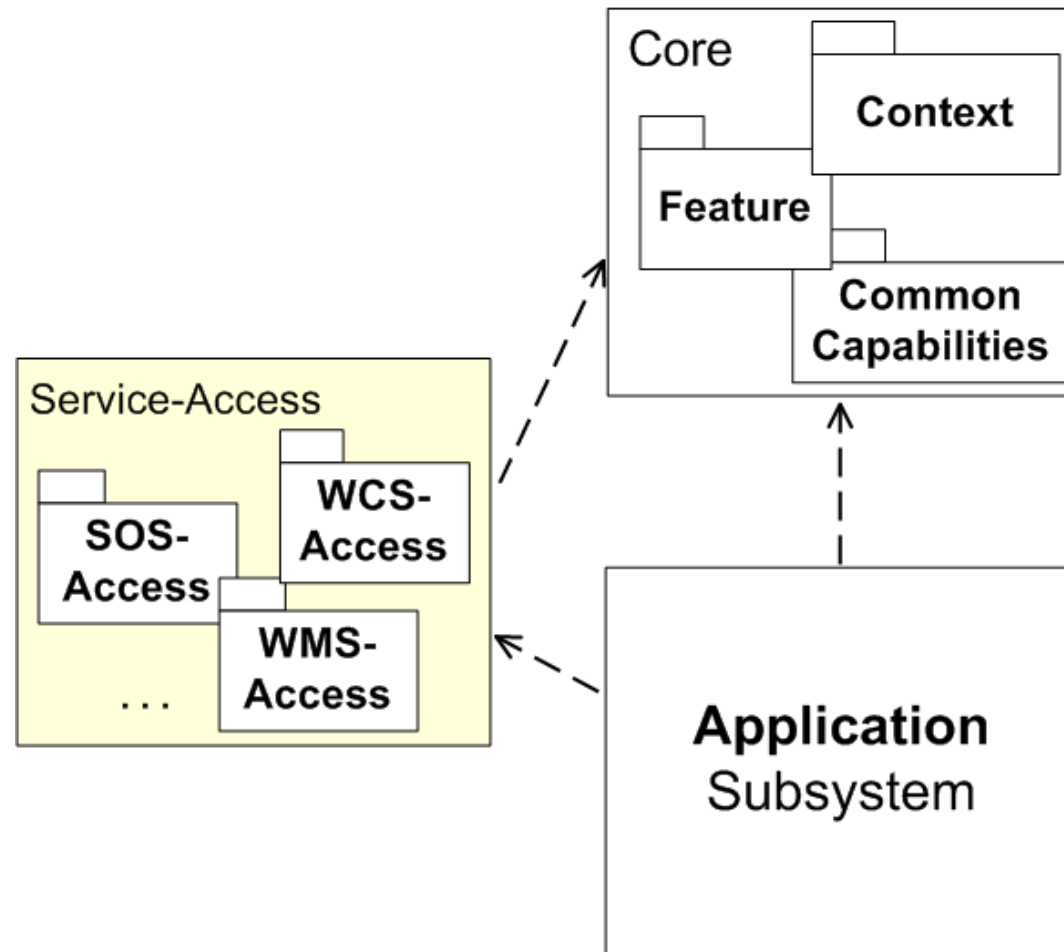
- implements the *Web Map Context Specification*
- manages the *current state* (→ “Context”) of an application
- enables *persistence*- and *exchange*-functionality

Core Subsystem

3. Context Model



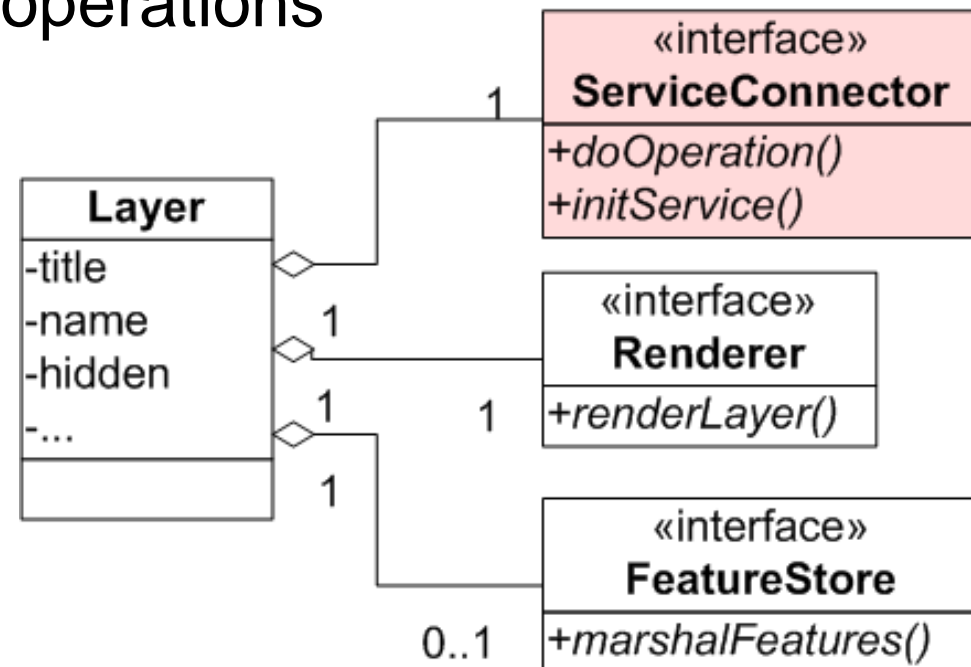
Service-Access Subsystem



Service-Access Subsystem

1. Service-Connector

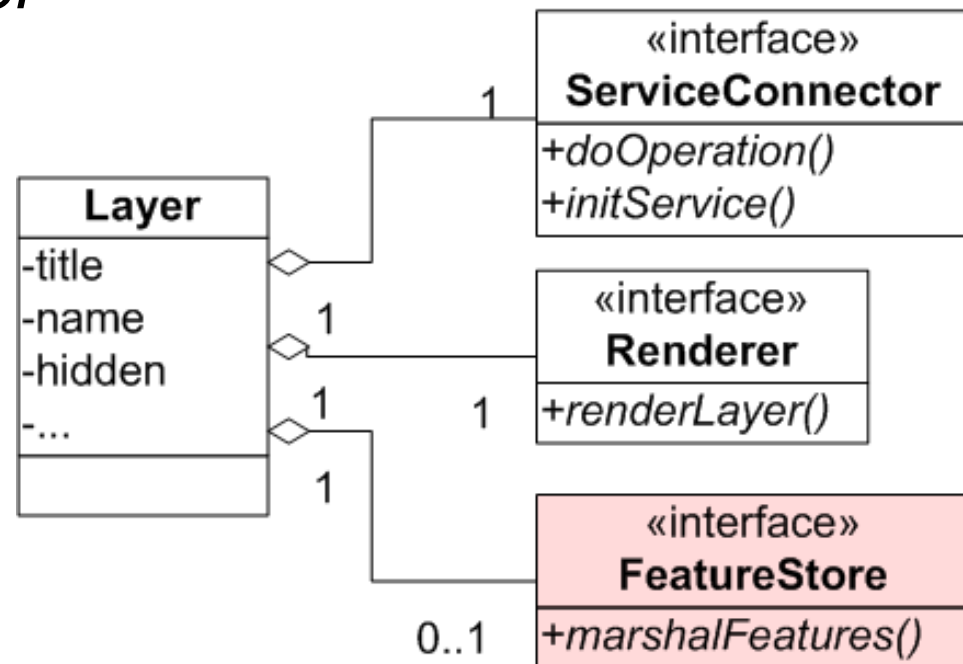
- initializes *Common Capabilities Model*
- executes service operations



Service-Access Subsystem

2. Feature-Store

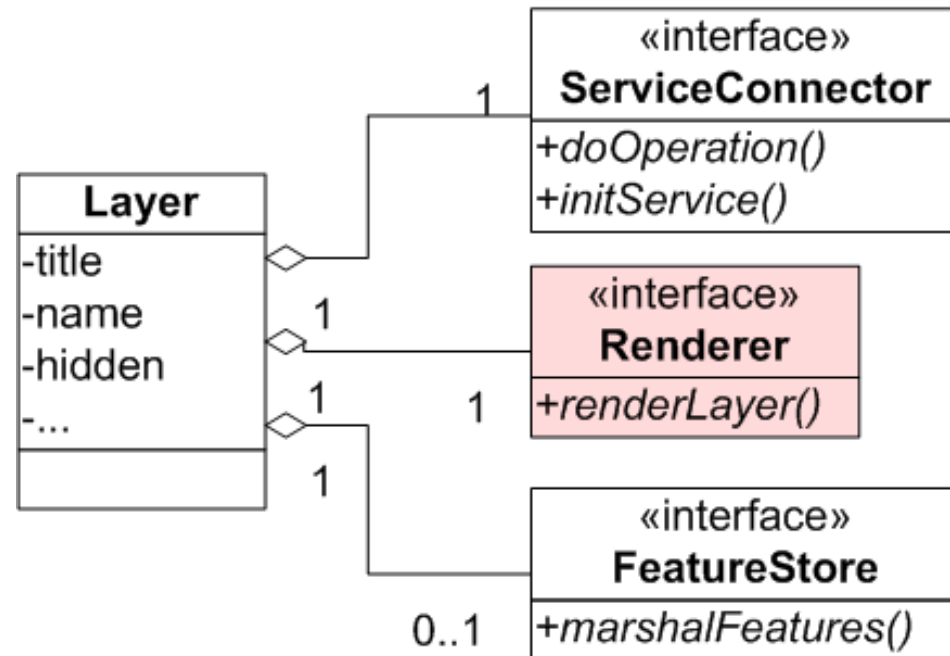
- marshals received features into the *Feature Model*



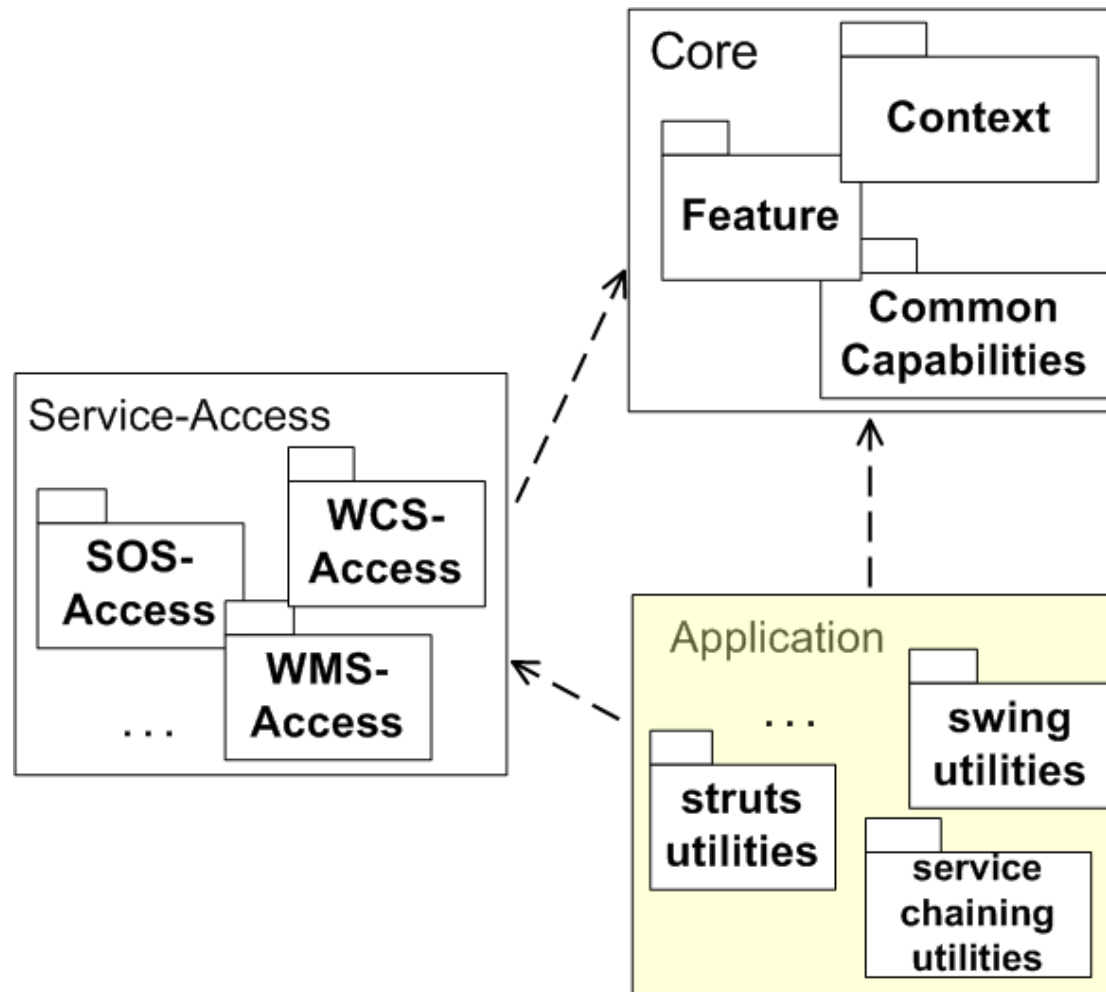
Service-Access Subsystem

3. Renderer

– converts data to graphical representation



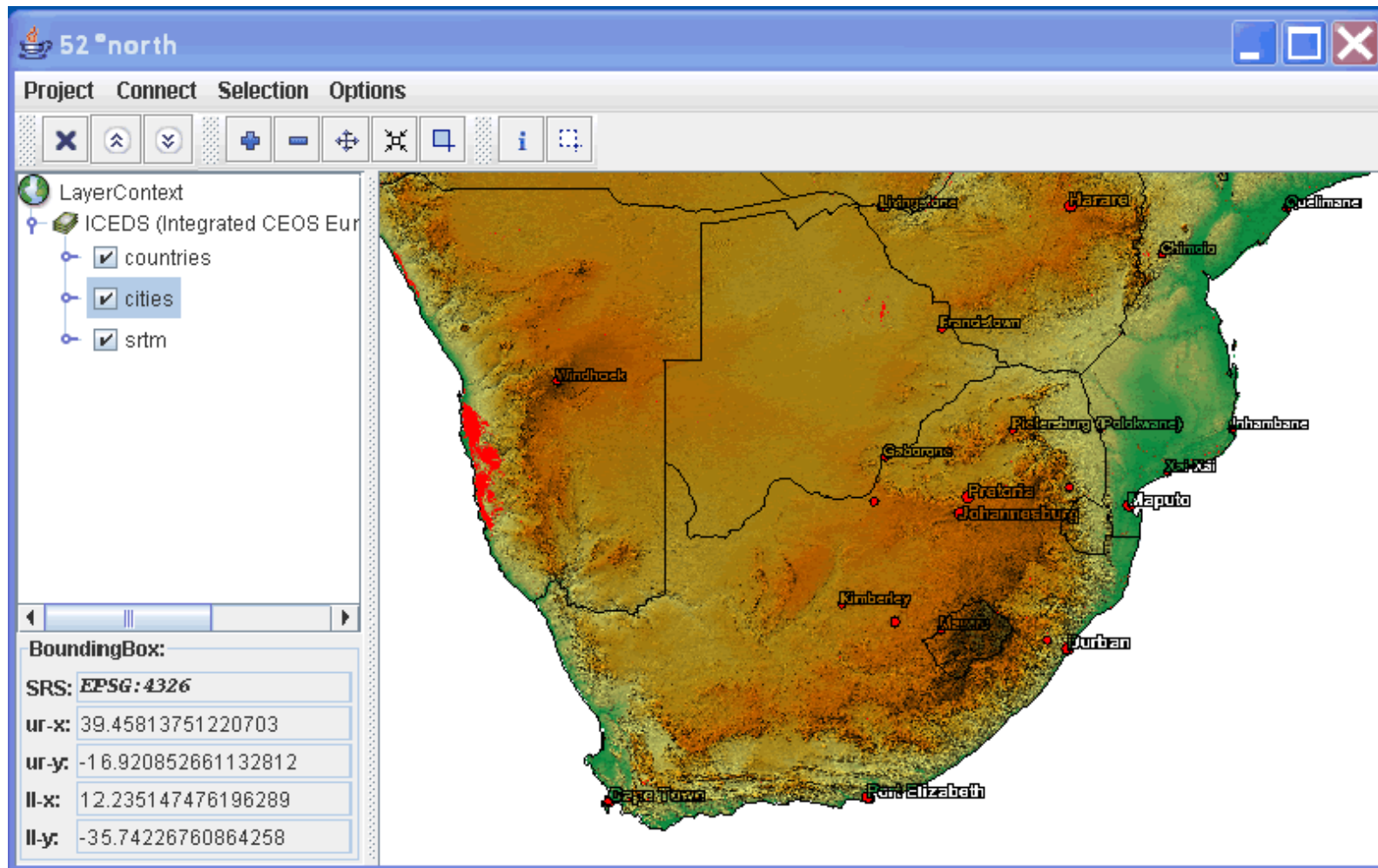
Application Subsystem



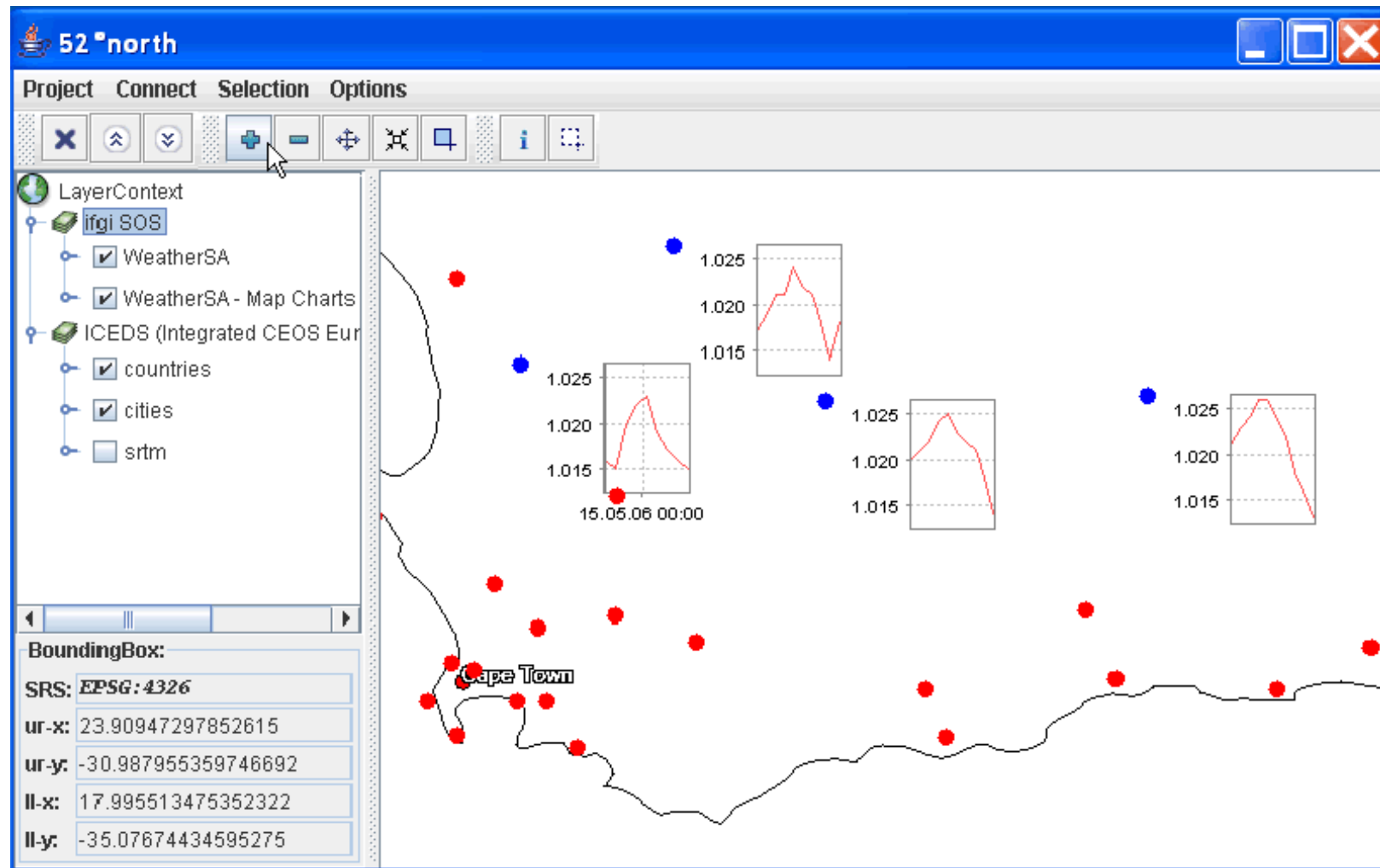
SWE Visualization Client

- based upon the **OX-Framework**
- enables access to: *SOS*, *WMS*, *WCS*
- Visualization of O&M-encoded sensordata

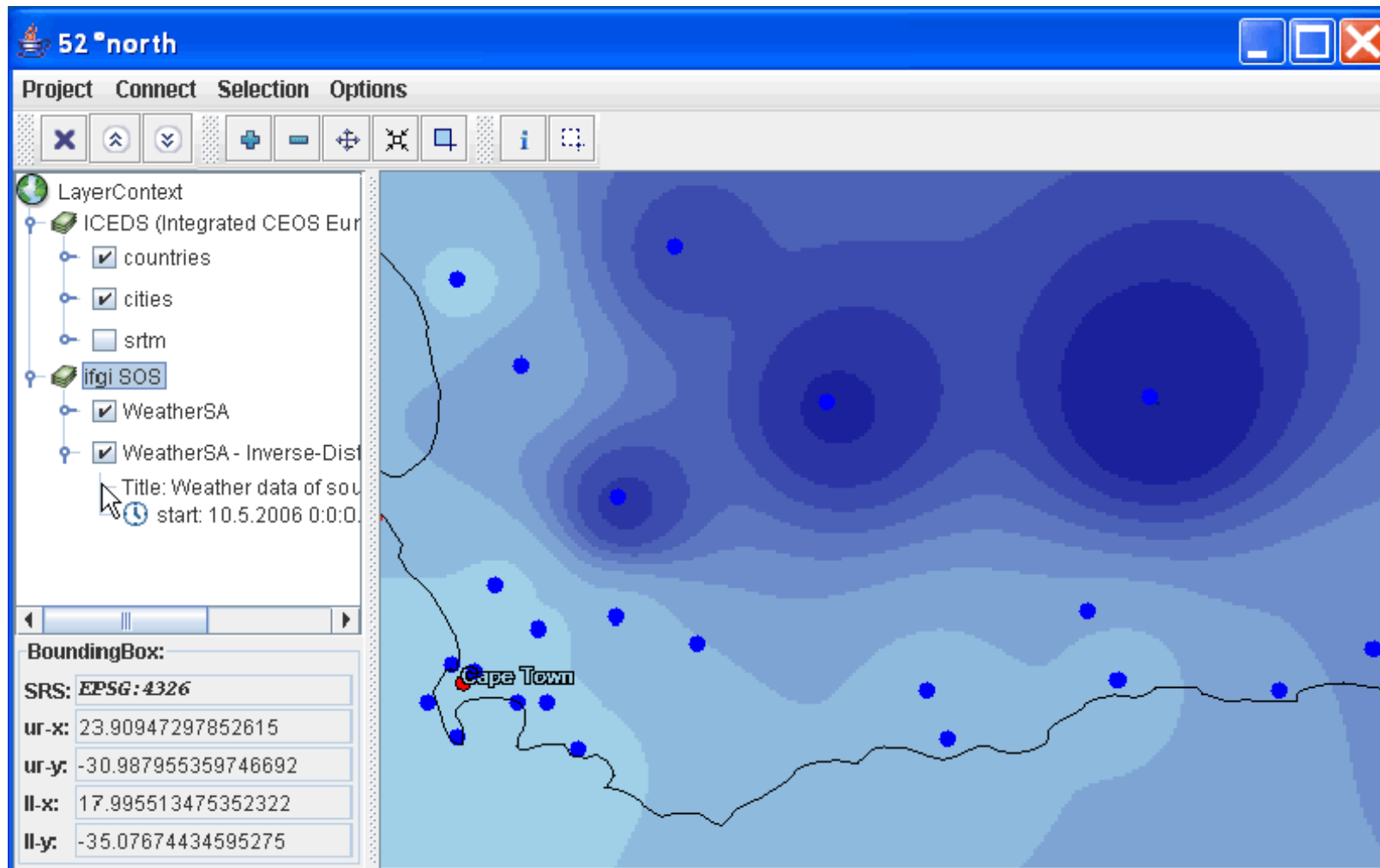
SWE Visualization Client



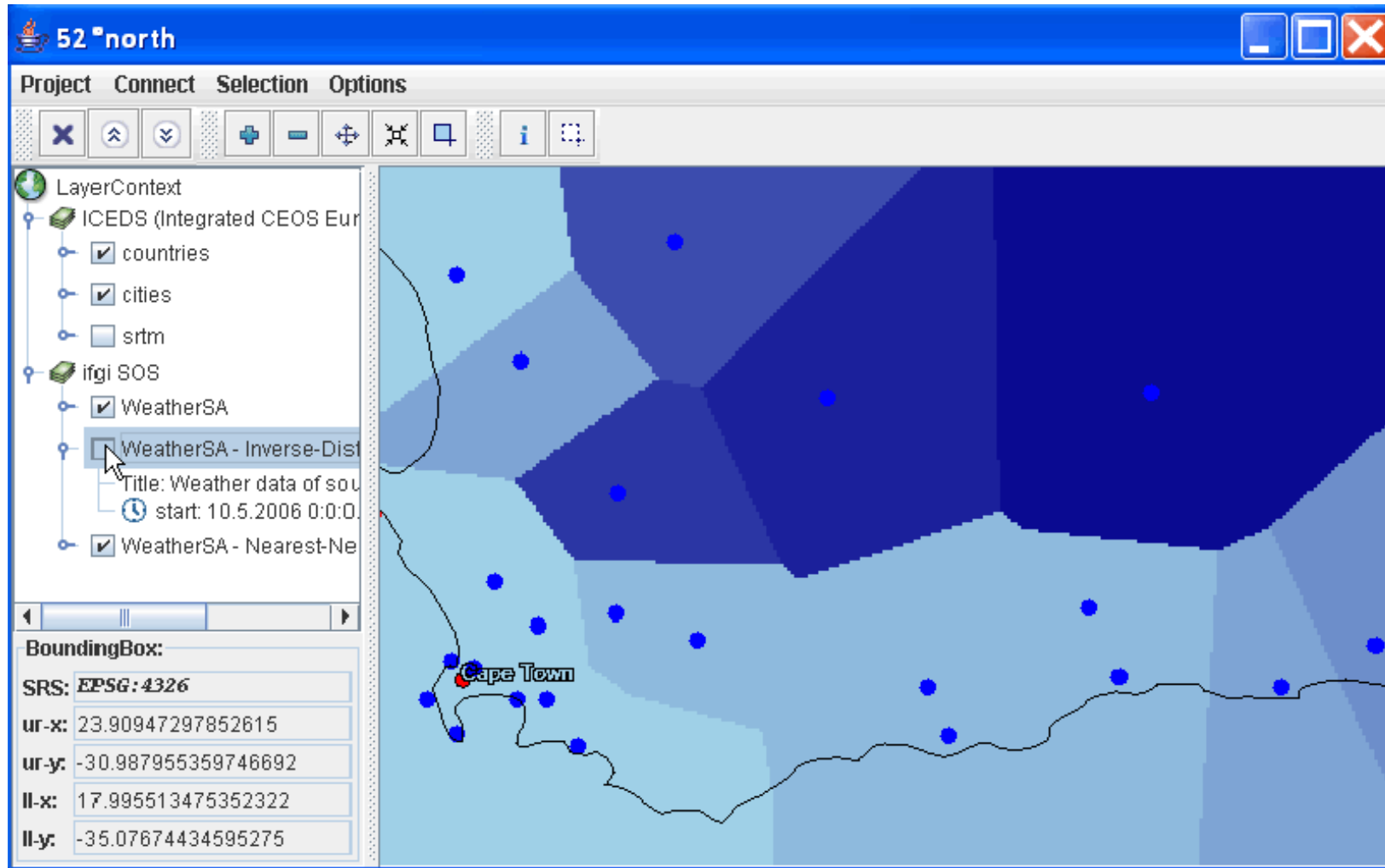
SWE Visualization Client



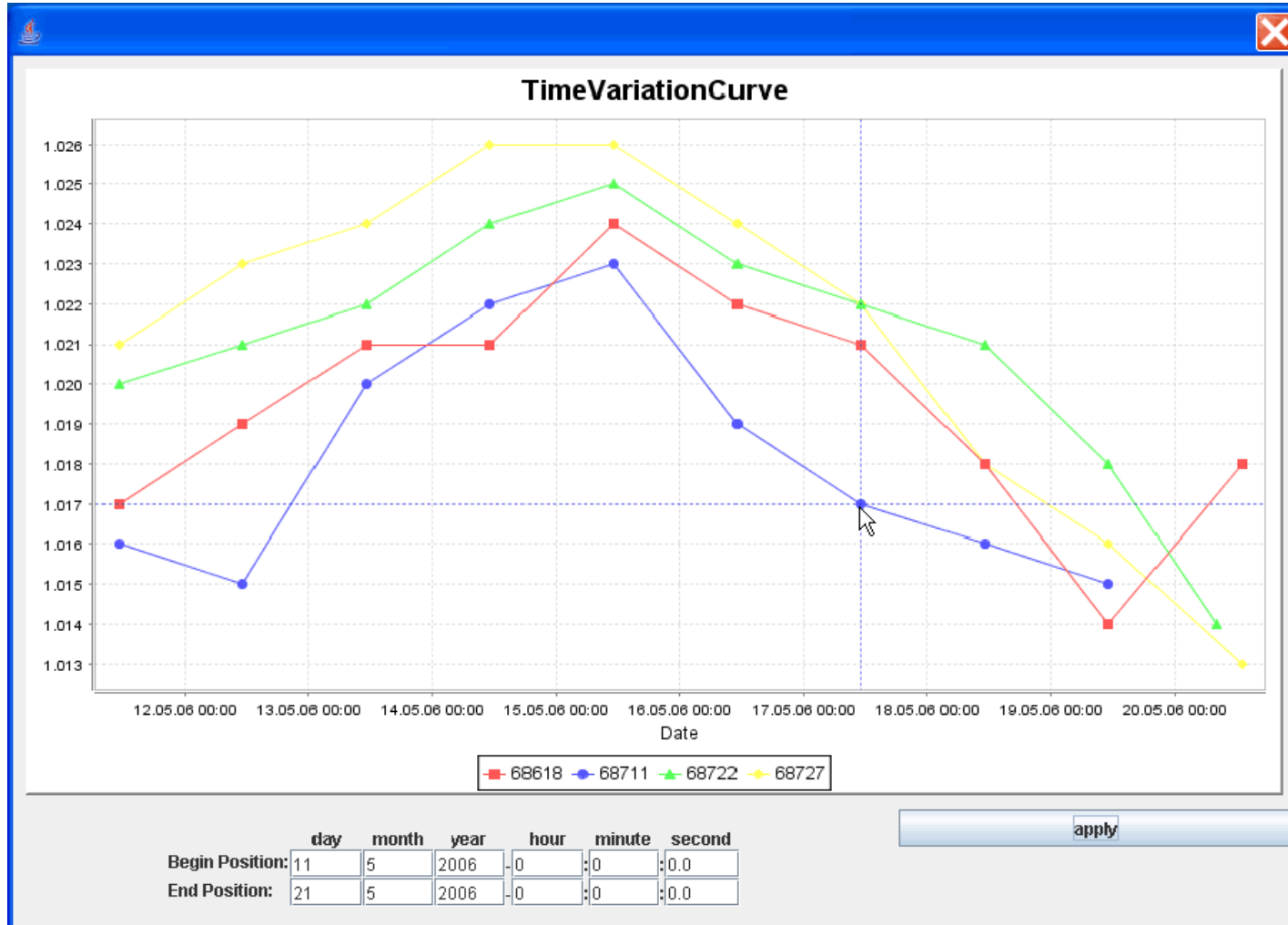
SWE Visualization Client



SWE Visualization Client



SWE Visualization Client



SWE Visualization Client

